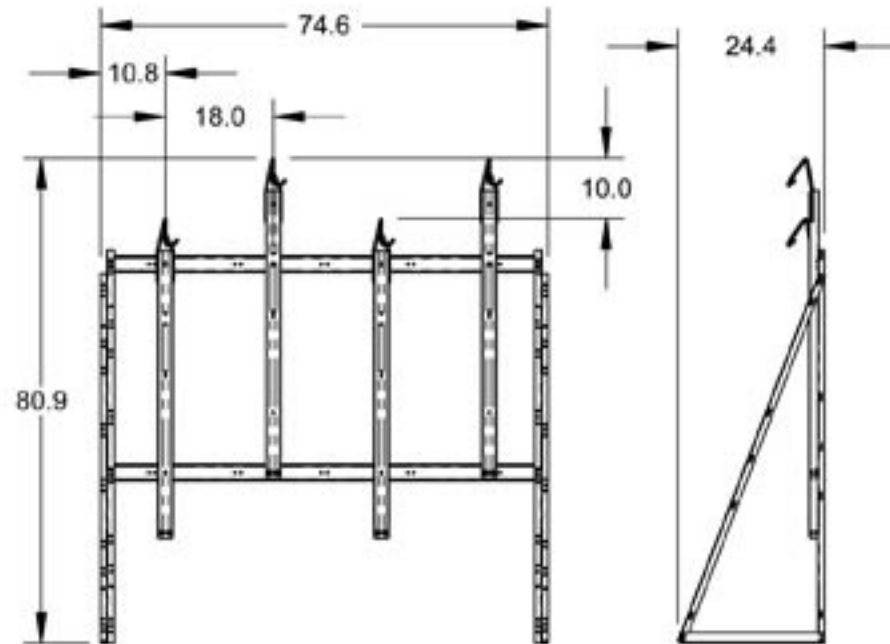


**SAR 8140
4-BIKE LOCKING RACK**



IMPLY BUILT TO LAST GUARANTEED



**SAR 8040
4-BIKE NON-LOCKING RACK**

NOTE:

1. DO NOT SCALE DRAWING.
2. INTALLATION TO BE COMPLETED IN ACCORDANCE WITH MANUFACTURER'S SPECIFICATIONS.
3. Both the SAR8040 & SAR8140 can be upgraded to 5 bikes with the addition of the SAR6006 or SAR6003

**www.BikeRackShops.com
1 - 877 - 367 - 4253**

Part of the www.NetCityShops.com family