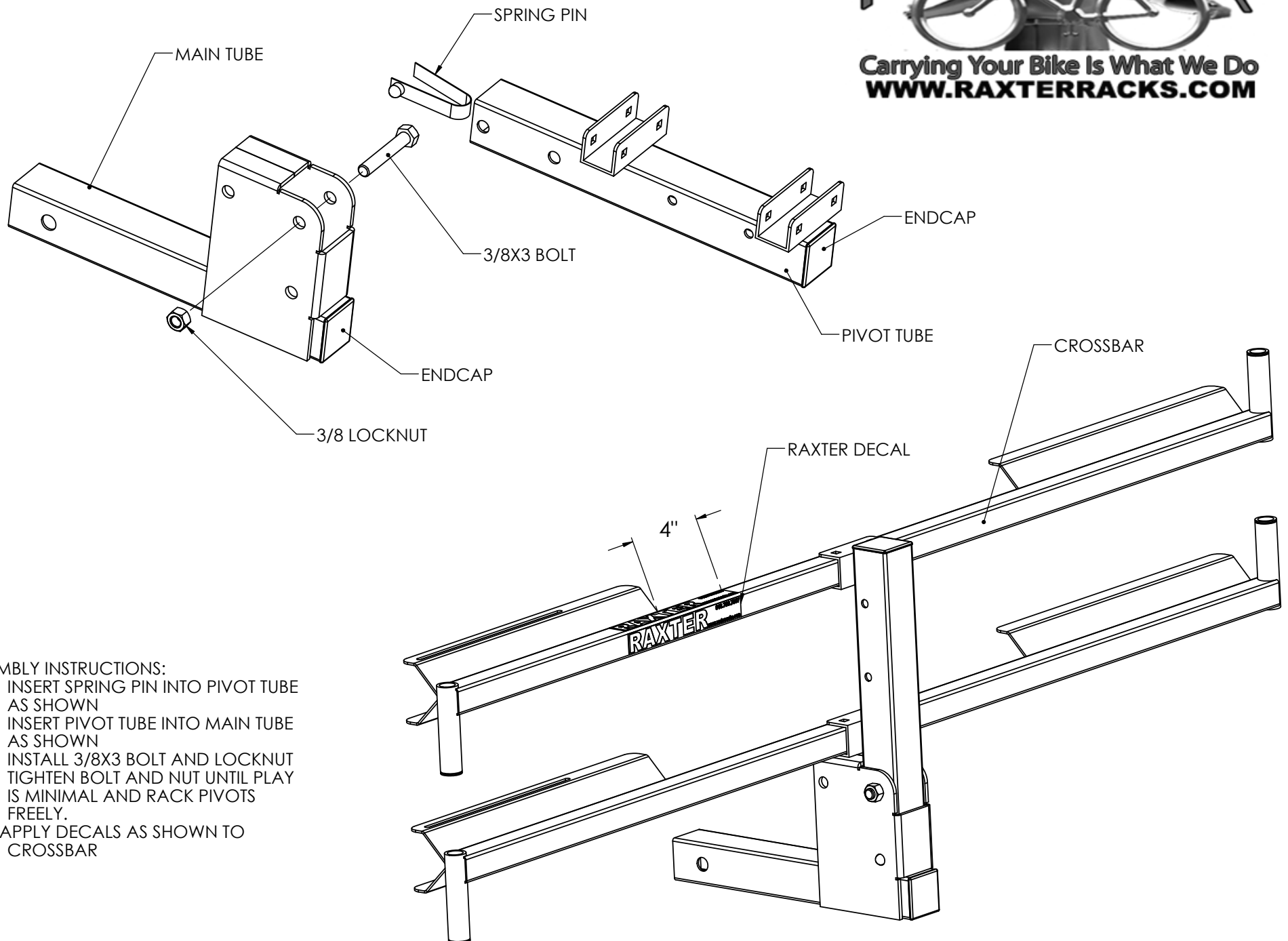


FOLDING MECHANISM ASSEMBLY INSTRUCTIONS

918.706.7987



Carrying Your Bike Is What We Do
WWW.RAXTERRACKS.COM



ASSEMBLY INSTRUCTIONS:

1. INSERT SPRING PIN INTO PIVOT TUBE AS SHOWN
2. INSERT PIVOT TUBE INTO MAIN TUBE AS SHOWN
3. INSTALL 3/8X3 BOLT AND LOCKNUT
4. TIGHTEN BOLT AND NUT UNTIL PLAY IS MINIMAL AND RACK PIVOTS FREELY.
5. APPLY DECALS AS SHOWN TO CROSSBAR

ITEM NO.	QTY.	PART NO.	DESCRIPTION
1	1	1-1072	TUBE, MAIN, PIVOT, 2", ASSY
2	1	1-1071	TUBE, HITCH, PIVOT, 2", ASSY
3	1	P-1109	PIN, SNAP, DOMED, 1/2"
4	2	P-1037	CAP, 2" X 2", PLASTIC
5	1	P-1113	BOLT, HEX, 1/2-13 X 3, ZINC
6	1	P-1112	NUT, LOCK, 1/2-13, ZINC

